



GreenEx

FIRE SUPPRESSION SOLUTIONS



GreenSol A-200™

Aerosol Extinguishing System



| | |
|-----------|---------------|
| Datasheet | GreenSol A200 |
| Series | A-200 |
| Version | 4.4_UL |
| Date | 30-06-2020 |



GreenSol A-200™

The GreenEx A200 GreenSol Fire Extinguisher is based on the environment friendly SFE Powdered Aerosol technology, listed on the EPA Halon Alternatives SNAP list as Powdered Aerosol A, designed for total flood fire suppression applications.

The A200 model is designed to extinguish and provide inertization for the following classes of fires.

- > **Class A** - Fires involving ordinary combustibles such as paper, wood, cloth, rubber, or plastics;
- > **Class B** - Fires involving flammable or combustible liquids, gases, oil, paints, or lacquer;
- > **Class C** - Fires involving energized (live) electrical equipment such as motors, appliances, or power tools.
- > **Class K** - Fires involving combustible cooking oils, or fats in cooking appliances.

The extinguishing agent concentration required for each type of fire and volume to be protected is determined by the solid SFE agent content in the GreenSol unit and the number of units per system.

The extinguishing agent delivered by the GreenSol system is a powdered aerosol created "in-situ" by a chemical reaction taking place in a non-pressurized container, delivering dry powder small particles (1-5 microns) floating in inert gases.

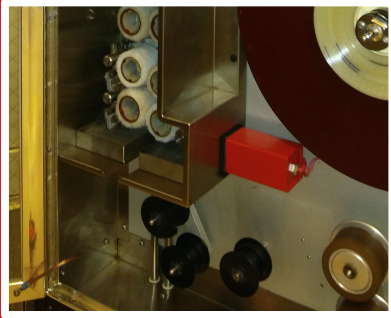
The GreenEx A200 GreenSol unit produces large amounts of powdered aerosol, designed to extinguish a fire in a 2 m³ closed volume.

The system is compatible with standard detection and release systems and can be installed inside or outside the protected volume.

Main features

- > Powdered Aerosol Halon Replacement
- > No Ozone Depletion
- > No Global Warming
- > Low Toxicity
- > Highly Efficient - 100 gr/m³
- > Approved by EPA, SNAP listing (aerosol A SFE)
- > Small - Safe - Simple
- > For A-B-C-K Class Total Flooding Applications
- > Cost Effective

GreenSol A-200™



Applications

- CNC machines
- Computer 19" racks
- Control rooms (false ceiling - sub floors)
- Electrical cabinets
- Engine & compressor rooms
- Paint lockers
- Server rooms
- Telecom rooms
- Flammable and combustible liquids storage

General Specifications

| | |
|-------------------------|---|
| Extinguishing Volume | 2 m ³ (100 gr/m ³) |
| Activation Mode | Electrical |
| Powdered Aerosol Color | White / light gray |
| Discharge Time | 23 sec |
| Temperature Range | -40°C (-40°F) to +54°C (130°F) |
| Toxicity | None |
| SFE Weight | 200 gram |
| SFE Specific Gravity | 1.2 - 1.5 gr/cm ³ |
| SFE Combustion Velocity | 1.1 - 1.2 mm/sec |
| Fire Classes | A - B - C - K |

Electrical Requirements

| | |
|-----------------------|-------------------------|
| Power Supply | 1.35 Amp |
| Ignition | Electrical match SPEX |
| Electrical resistance | 0.85 - 1.85 Ohm (± 0.2) |

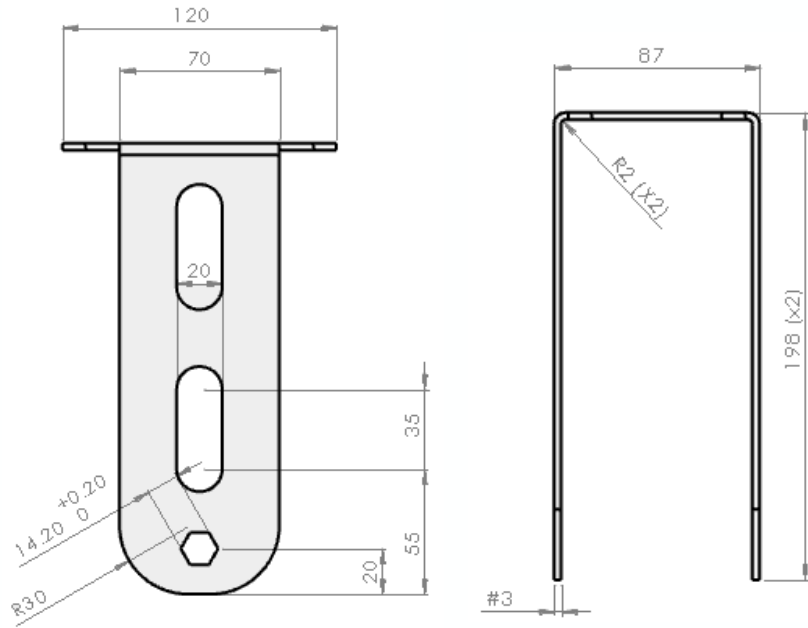
Mechanical Specifications

| | |
|------------------------|------------------|
| Dimensions (W x H x L) | 80 x 80 x 210 mm |
| Total Weight | 2.7 kg |

Environment Friendly

| | |
|---------------------------|------|
| Ozone Depletion Potential | None |
| Global Warming Potential | None |

Bracket Dimensions



Thermal Analysis A-200

Minimum safe distance for Personnel:

| Discharge stream | | | | Generator casing | | | |
|------------------|--------------|---------------|---------------|------------------|--------------|---------------|---------------|
| Distance, in | Distance, cm | Max. temp, °F | Max. temp, °C | Distance, in | Distance, cm | Max. temp, °F | Max. temp, °C |
| 36 | 91 | 156 | 69 | .25 | 0.6 | 166 | 74 |

Minimum safe distance for Combustibles:

| Discharge stream | | | | Generator casing | | | |
|------------------|--------------|---------------|---------------|------------------|--------------|---------------|---------------|
| Distance, in | Distance, cm | Max. temp, °F | Max. temp, °C | Distance, in | Distance, cm | Max. temp, °F | Max. temp, °C |
| 0 | 0 | 328 | 164 | 0 | 0 | 328 | 164 |

Approvals and accreditations

- > UL-2775, EX27228
- > EN-ISO-9094:2015, European Recreational Craft Directive 2013/53/EU
- > CE Marking
- > ANSI/UL 2775 Fixed Condensed Aerosol Extinguishing System Units
- > ULC/ORD C2775-12 Fixed Condensed Aerosol Extinguishing System Units
- > NFPA-2010:2015 Standard for Fixed Aerosol Fire Extinguishing Systems



Specifications subject to changes

For more information viw manual or website www.green-ex.nl